**VEHICLE TYPE**

ISUZU / KENWORTH / PETERBILT / FORD / MITSUBISHI / DETROIT
DIESEL / ZETROS MERCEDES / 180E28 IVECO / 65CF-240 DAF /
DENNIS Elite / DENNIS Elite Kerbsider / DENNIS Sabre XL / PRO 628
BMC / MITSUBIHI FUSO FIGHTER / SEDDON / ML160E24 IVECO /
ATEGO / SCANIA P340 / HINO 268A / 2628LL Econic MERCEDES
BENZ / UD 2600 / HINO USA NV8J / TERBERG VOLVO

TRANSMISSION CODE

ALLISON MD 3000-3060-3066-3070-3200-3560-3566
/ HD 4060-4070-4076-4430-4560

Kozmaksan Allison Power Take OFFs designed for Allison series main transmissions. Kozmaksan ALS PTOs has Single output model, Side Mounting type options and available for UNI&ISO mounting housing or suitable for flange connections. Kozmaksan has been designing ALS series PTOs as Clutch Shift PTO. In other words, ALS Series PTOs have Clutch System.

Output Options;
ISO & SAE B & SAE B-B & UNI & Flange

ALLISON

ELECTRIC SHIFTING

SIDE MOUNTING

ALS.18.3060

Product Code

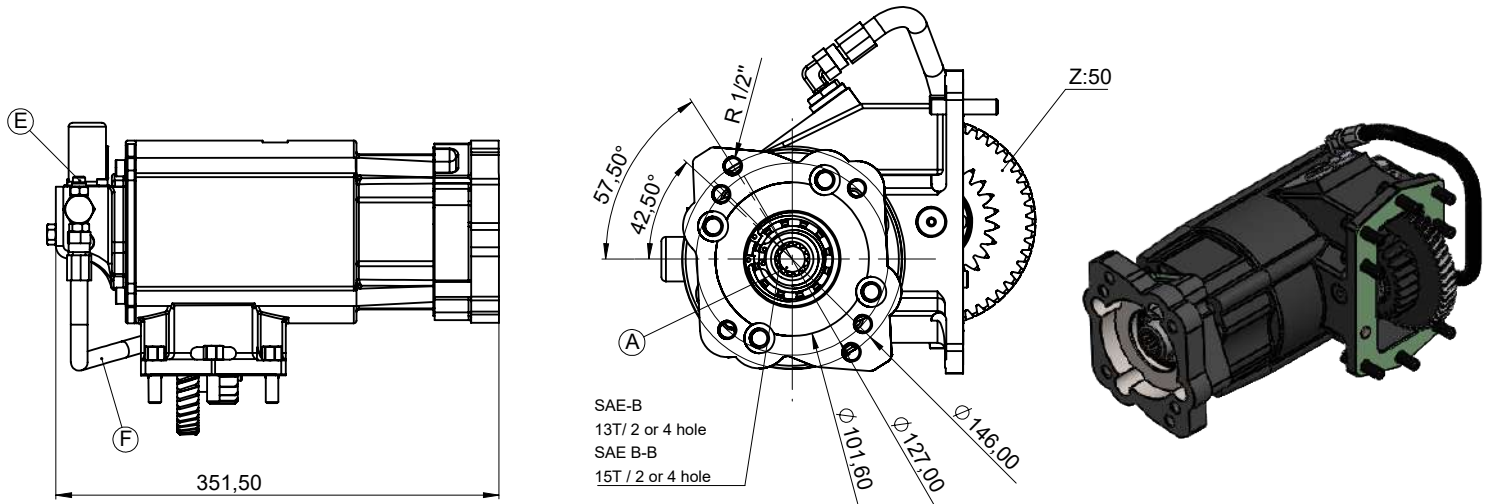
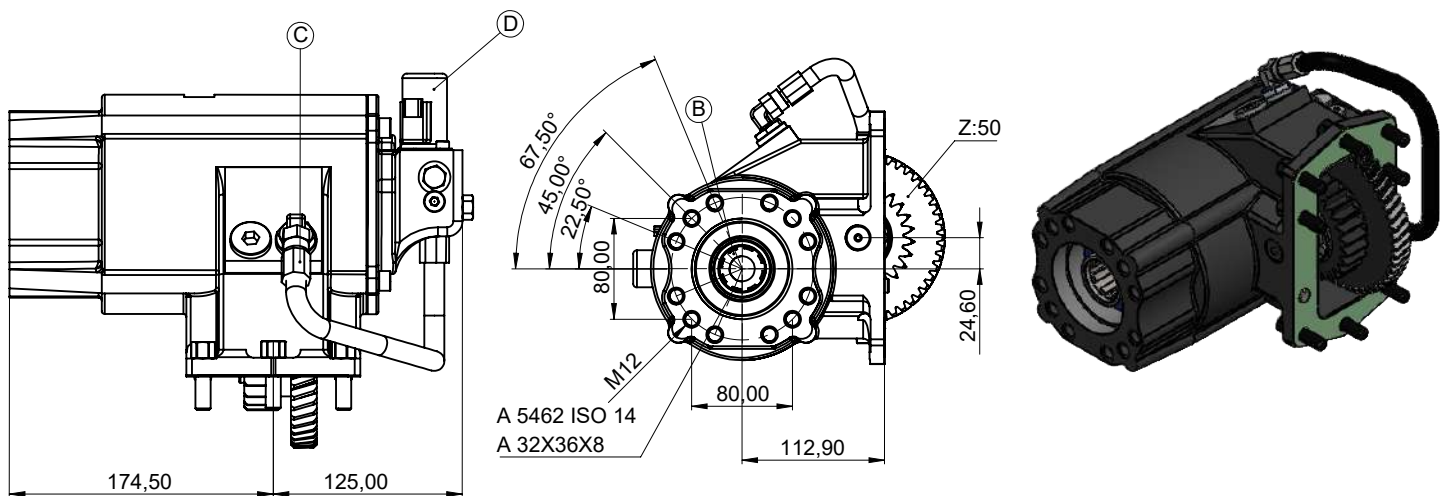
ALLISON MD 3000-3060-3066-3070-3200-3560-3566
/ HD 4060-4070-4076-4430-4560

01

04.04.2019

02

Rev. Date

SAE B OUTPUT**ISO OUTPUT**

A1 SAE B 13T / 2 or 4 Hole Output

A2 SAE B-B 15T / 2 or 4 Hole Output

B DIN 5462 / ISO 14 A 32x36x8 Output

C R1/2" Oiling Input

D Engage/Disengage Electronic Valve

F Valve Oil Input Hose

E PTO Oiling Hose

| | SAE-B Output | ISO Output | |
|----------------------|---|------------|--|
| Power (kW) @1000 RPM | 29 | 41 | |
| Max. Torque (Nm) | 278 | 392 | |
| Weight (Kg) | 30 | 29 | |
| Ratio (Input/Output) | 1/0,72 | | |
| Mounting Type | Side PTO | | |
| Sense of Rotation | CW (Manuel Transmission) - CCW (Automatic Transmission) | | |

ALLISON

ELECTRIC SHIFTING

SIDE MOUNTING

ALS.18.3060

Product Code

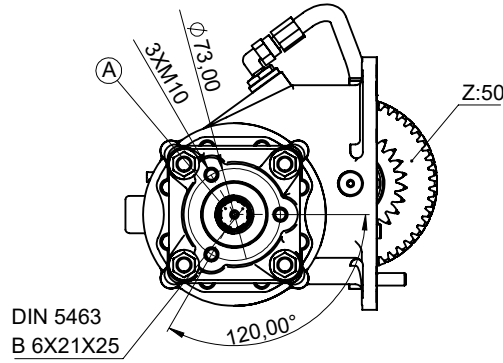
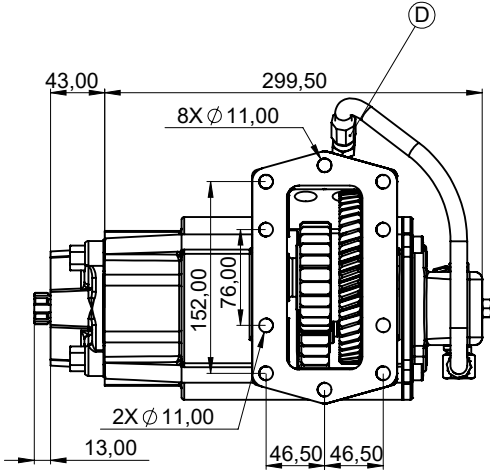
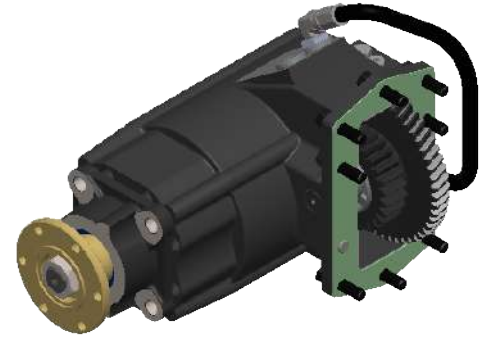
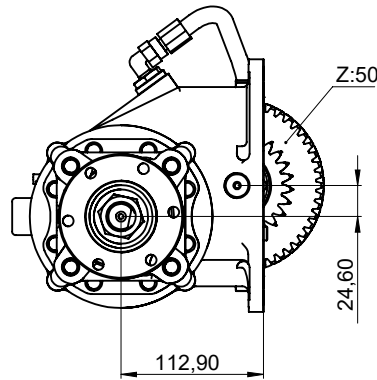
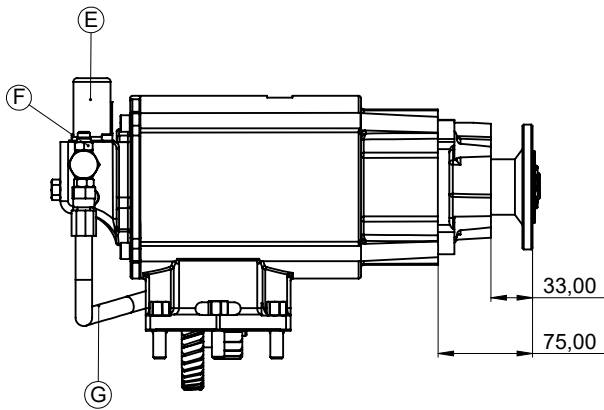
ALLISON MD 3000-3060-3066-3070-3200-3560-3566
/ HD 4060-4070-4076-4430-4560

01

04.04.2019

03

Rev. Date

UNI OUTPUT**FLANGE OUTPUT**

A DIN 5463 B 6x21x25 UNI 3 Bolts

B ISO 7647-7646 Standard Flange

C DIN 5462 / 32x36x8 / ISO

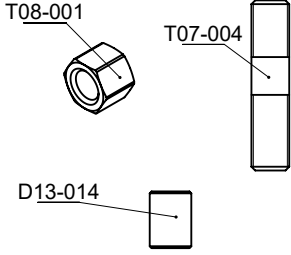
D R1/2" Oiling Input

E Engage/Disengage Electronic Valve

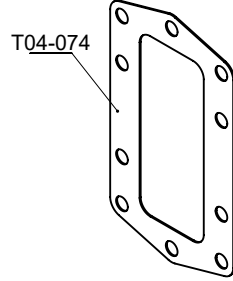
F Valve Oil Input Hose

G PTO Oiling Hose

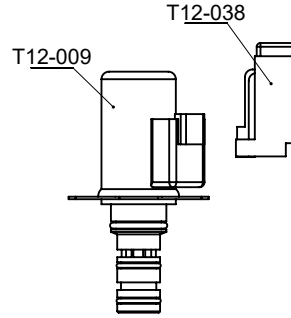
| | UNI Output | FLANGE Output | |
|----------------------|---|---------------|--|
| Power (kW) @1000 RPM | 23 | 41 | |
| Max. Torque (Nm) | 220 | 392 | |
| Weight (Kg) | 30 | 30 | |
| Ratio (Input/Output) | 1/0,72 | | |
| Mounting Type | Side PTO | | |
| Sense of Rotation | CW (Manuel Transmission) - CCW (Automatic Transmission) | | |

**Transmission
Mounting Parts**


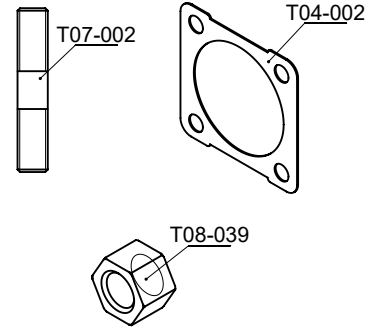
| | Code | Qty |
|---|---------|-----|
| 1 | T08-001 | 8 |
| 2 | T07-004 | 8 |
| 3 | D13-014 | 2 |

**Transmission
Gasket**


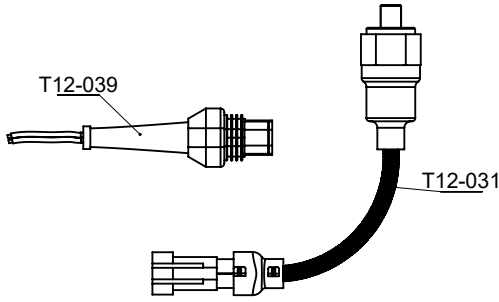
| | Code | Qty |
|---|---------|-----|
| 4 | T04-074 | 1 |

Valve


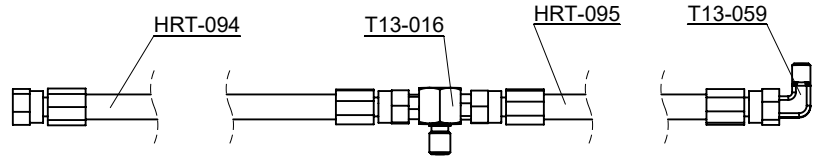
| | Code | Qty |
|---|---------|-----|
| 5 | T12-009 | 1 |
| 6 | T12-038 | 1 |

ISO Output Mounting Parts


| | Code | Qty |
|---|---------|-----|
| 7 | T08-039 | 4 |
| 8 | T07-002 | 4 |
| 9 | T04-002 | 1 |

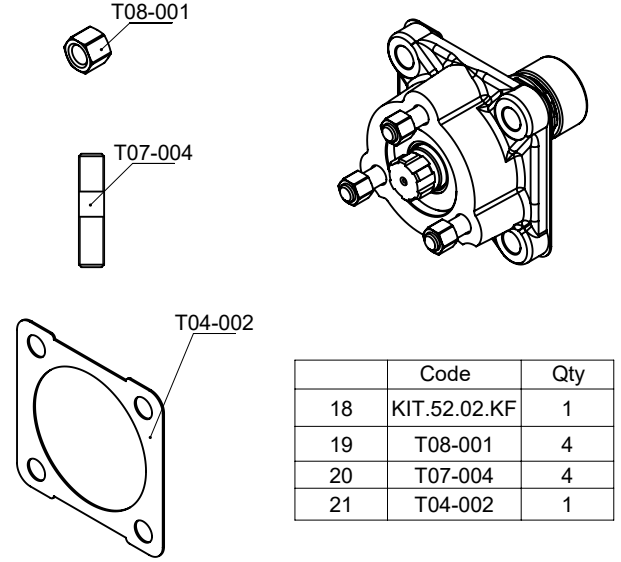
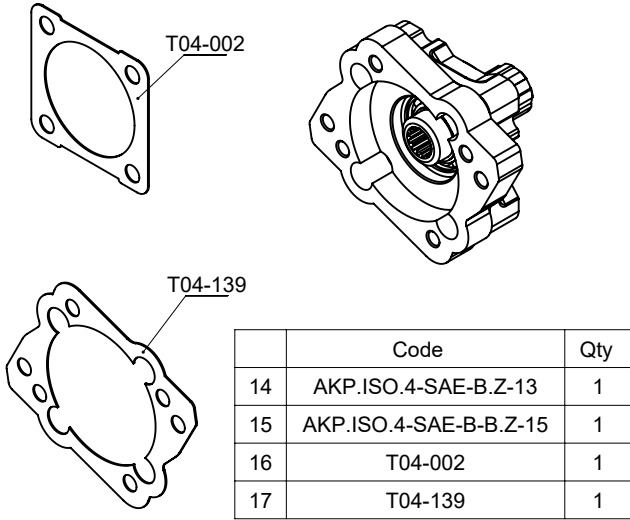
Sensor and Connector


| | Code | Qty |
|----|---------|-----|
| 10 | T12-031 | 1 |
| 11 | T12-039 | 1 |

Hose


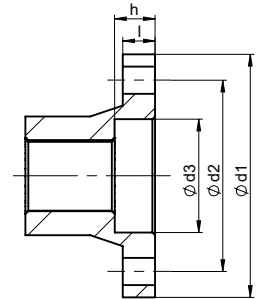
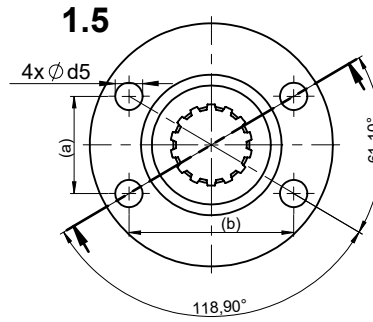
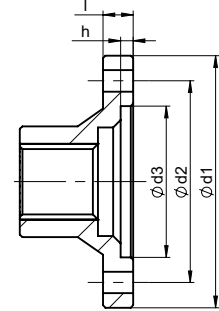
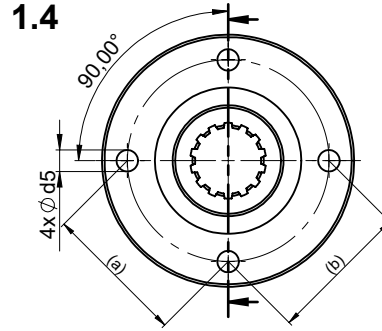
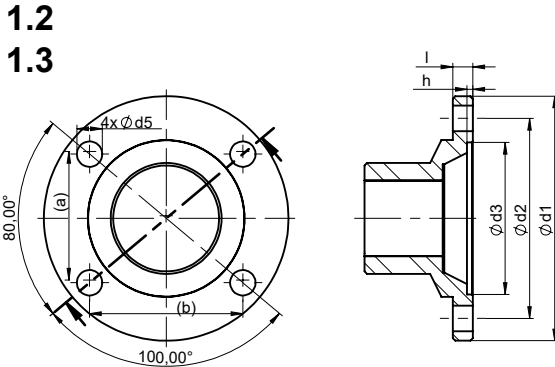
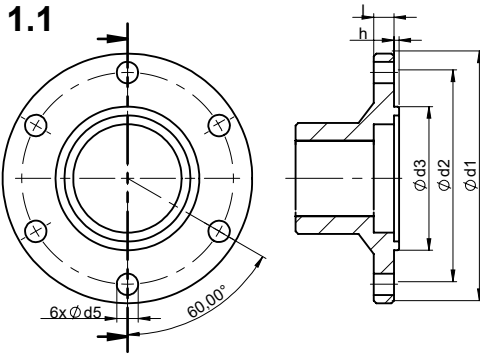
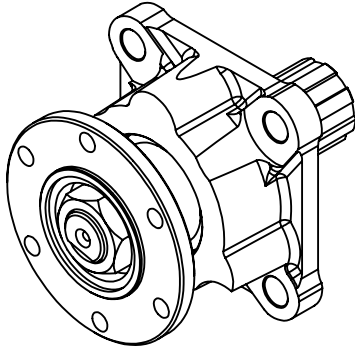
| | Kod | Miktar |
|----|---------|--------|
| 12 | HRT-094 | 1 |
| 13 | HRT-095 | 1 |
| 14 | T13-016 | 1 |
| 15 | T13-059 | 1 |

| No | Code | Description | No | Code | Description |
|----|---------|------------------------|----|---------|------------------------------|
| 1 | T08-001 | M10 Nut | 10 | T12-031 | Oil Pressure Sensor R 1/8" |
| 2 | T07-004 | M10X45 Stud | 11 | T12-039 | Oil Pres. Sensor Connector |
| 3 | D13-014 | Ø11X17 Pin | 12 | HRT-094 | ALLISON 28" R/18" Hose |
| 4 | T04-074 | Transmission Gasket | 13 | HRT-095 | ALLISON 12,5" R1/8" Hose |
| 5 | T12-009 | Oil Valve for Engaging | 14 | T13-016 | 7/16 T Elbow |
| 6 | T12-038 | Oil Valve Connector | 15 | T13-059 | R 1/8-28 - 7/16-20 UNF Elbow |
| 7 | T08-039 | M12 Nut | | | |
| 8 | T07-002 | M12X65 Stud | | | |
| 9 | T04-002 | ISO Gasket | | | |

SAE-B Output Mounting Parts
UNI Output Mounting Parts


| No | Code | Description | No | Code | Description |
|----|------------------------|-------------------|----|------|-------------|
| 14 | AKP.ISO.4-SAE-B.Z-13 | SAE B Converter | | | |
| 15 | AKP.ISO.4-SAE-B-B.Z-15 | SAE B-B Converter | | | |
| 16 | T04-002 | Pump Gasket 1MM | | | |
| 17 | T04-139 | Pump Gasket 1MM | | | |
| 18 | KIT.52.02.KF | UNI Converter | | | |
| 19 | T08-001 | M10 Nut | | | |
| 20 | T07-004 | M10X45 Stud | | | |
| 21 | | | | | |
| | | | | | |

FLANGE OUTPUT



| | Ø d1 | Ø d2 | Ø d3 | Ø d5 | l | h | Hole | (a) x (b) |
|-----|------|-------|-------|------|----|-----|------|-------------|
| 1.1 | 100 | 84 | 57 | 8,1 | 8 | 2,3 | 6 | - |
| 1.2 | 97 | 79,37 | 60,32 | 10,1 | 8 | 2,3 | 4 | 51 x 60,8 |
| 1.3 | 87 | 69,85 | 57,10 | 8,1 | 2 | 2 | 4 | 45 x 53,5 |
| 1.4 | 100 | 80 | 60 | 8,5 | 12 | 5 | 4 | 56,5 x 56,5 |
| 1.5 | 90 | 70,83 | 42 | 10,1 | 12 | 15 | 4 | 36 x 61 |

| No | Code | Description | | | |
|-----|--------------|-------------------------|--|--|--|
| 1 | KIT.55.02.UF | ADAPTER | | | |
| 1.1 | C06-076 | ISO 7646-100x6x8 | | | |
| 1.2 | C06-045 | ISO 7647-SAE 1300x4x10 | | | |
| 1.3 | C06-082 | ISO 7647 - SAE 1100x4x8 | | | |
| 1.4 | C06-194 | Ø100 SPECIAL FLANGE | | | |
| 1.5 | C06-192 | Ø90 SPECIAL FLANGE | | | |
| | | | | | |
| | | | | | |